

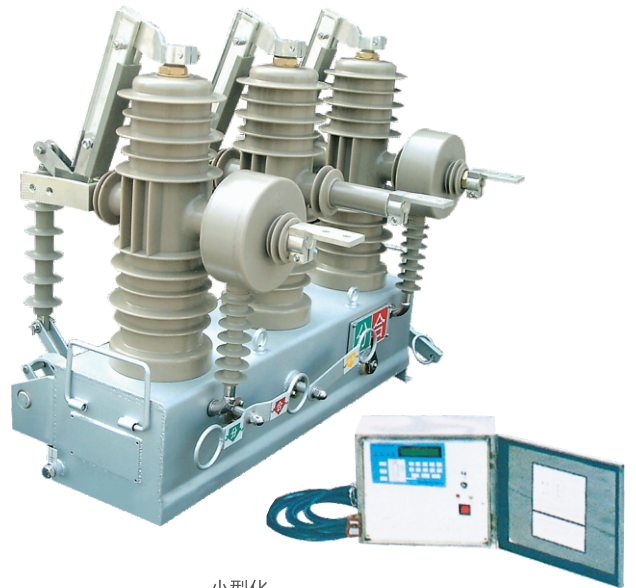
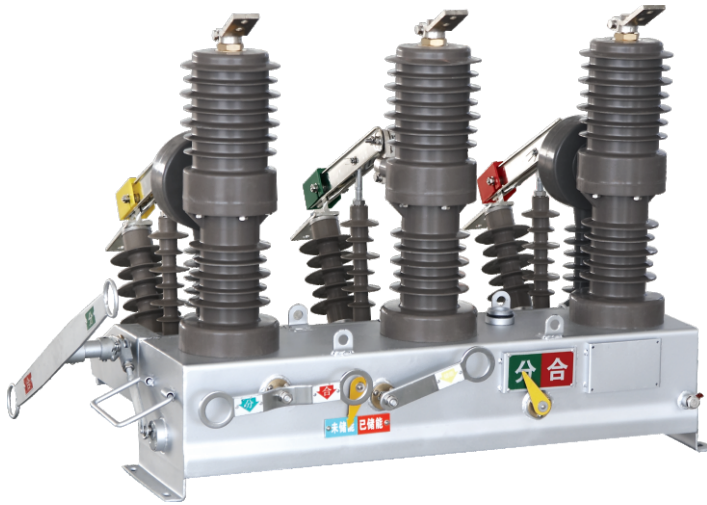
ZW32-12

系列户外高压真空断路器

Series outdoor high voltage vacuum circuit breaker

吾心求索·通享未来

得益于多年的电气产品研发和制造经验，索通电气为您提供结合了先进技术和卓越工程设计的高压开关设备；系列产品符合智能化、安全性和可靠性要求最严苛的标准。该系列能为公共配电、工业和楼宇领域提供极具成本效益的解决方案，提高竞争力。



小型化
Minimized



节能型
Energy Saving



智能化
Intellectualization



易维护
Easy Maintenance



安全性
Safety

ZW32-12

系列户外高压真空断路器

Series outdoor high-voltage vacuum circuit breaker

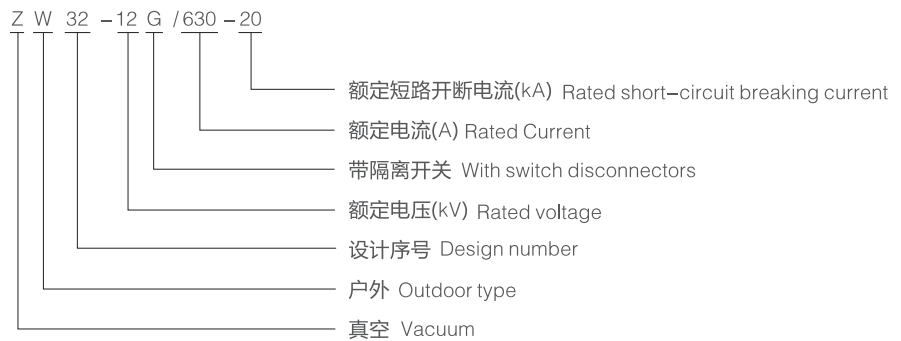


产品概述 General

ZW32-12 型户外高压真空断路器用于交流50Hz、电压10~12KV的三相电力系统，作为分断、关合负荷电流之用，它具有过载及短路保护功能，满足控制、测量要求，还可实现远方控制、监视等。适用于变电站及工矿企业配电系统中作保护和控制之用及农村电网中频繁操作场所。

ZW32-12 Series outdoor high voltage vacuum circuit breaker is used in three phases power system of AC 50Hz, voltage 10~12KV, to switch on/off loading current. It has function of protecting overloading and short circuit, meeting the requirement of control and measurement, realizing remote control and monitor and so on. It applies to protect and control distribution system of substation, industrial enterprises, and frequent switching in rural network.

型号及含义 Model and meaning



ZW32-12

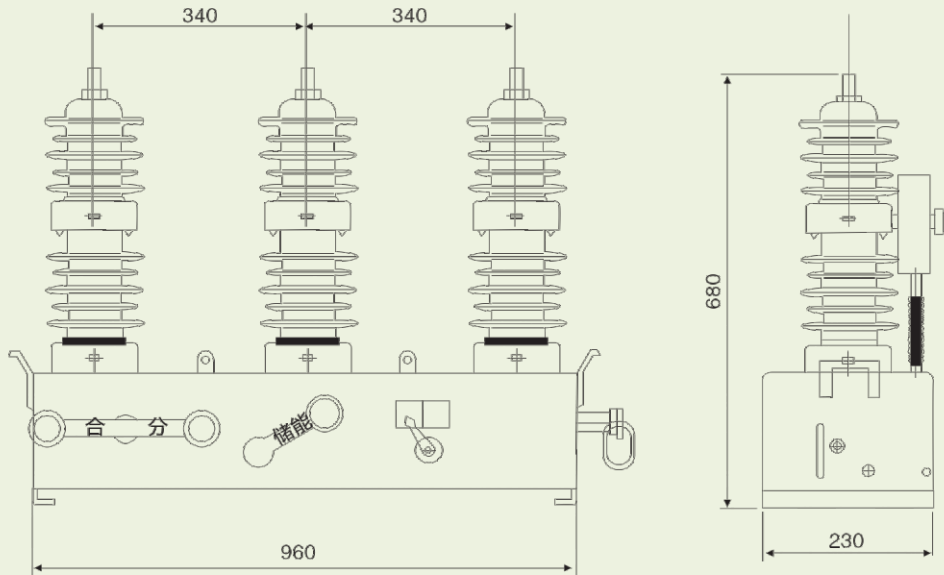
系列户外高压真空断路器
Series outdoor high-voltage vacuum circuit breaker



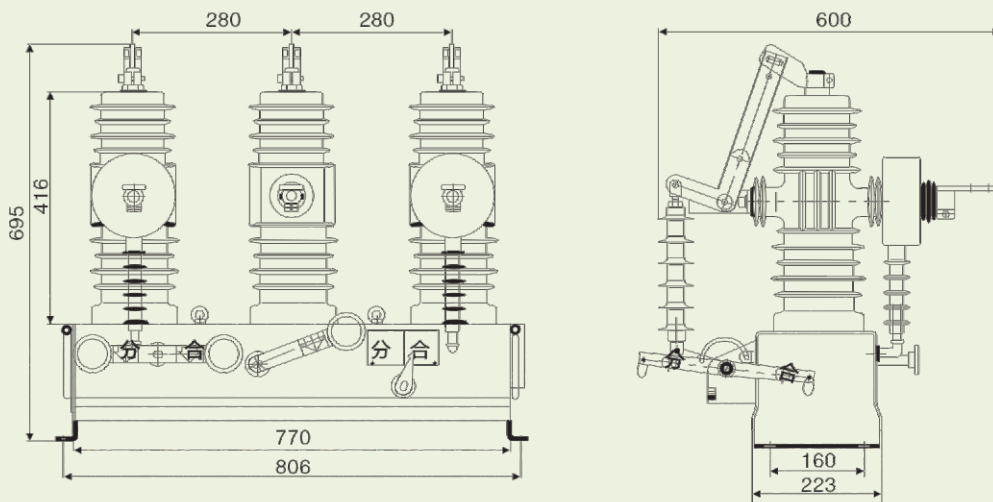
主要技术参数 Technical specifications

序号No.	名称 Description	单位 Unit	参数 Specifications		
1	额定电压 Rated voltage	KV	12		
2	额定绝缘水平 Rated Insulation level	1min工频耐压 1min Power frequency withstand voltage	干试 Dry	KV	42
			湿试 Wet	KV	34
		雷电冲击耐压(峰值) Lightning impulse withstand voltage (peak)		KV	75
3	额定电流 Rated current	A	630		
4	额定短路开断电流 Rated short circuit breaking current	KA	20		
5	额定操作顺序 Rated operating sequence		分(O)-0.3s-合分(CO)-180s-合分(CO)		
6	额定短路电流开断次数 Nos of breaking rated short circuit breaking current	次time	30		
7	额定短路关合电流(峰值) Rated short circuit making current (peak)	KA	50		
8	额定峰值耐受电流 Rated peak withstand current	KA	50		
9	额定短路耐受电流 Rated short time withstand current	KA	20		
10	额定短路持续时间 Duration of rated short circuit current	s	4		
11	分闸时间 Opening time (分励脱扣) (shunt tripping)	最高操作电压 Highest operating voltage	ms	15~50	
		额定操作电压 Rated operating voltage	ms	15~50	
		最低操作电压 Lowest operating voltage	ms	30~60	
12	合闸时间 Closing time	ms	25~50		
13	全开断时间 Full breaking time	ms	≤100		
14	燃弧时间 Arcing time	ms	≤20		
15	机械寿命 Mechanical endurance	次time	10000		
16	储能电机额定输入功率 Rated input power of charging motor	W	40		
17	额定操作电压及辅助回路额定电压 Rated operating voltage and rated voltage of auxiliary circuit		V	DC220、110、24	
				AC220、110、24	
18	额定电压下储能时间 Charging time at rated voltage	s	≤10		
19	过电流脱扣器 over-current release	额定电流 Rated current	A	5	
		脱扣电流准确度 Accuracy of tripping current	%	±10	

外形及安装尺寸 Outline and installation size



注：用户如有特殊要求，可与我厂协商后确定。
 Note: If user has any special requirement, please negotiate with our factory.



小型化 Minimized